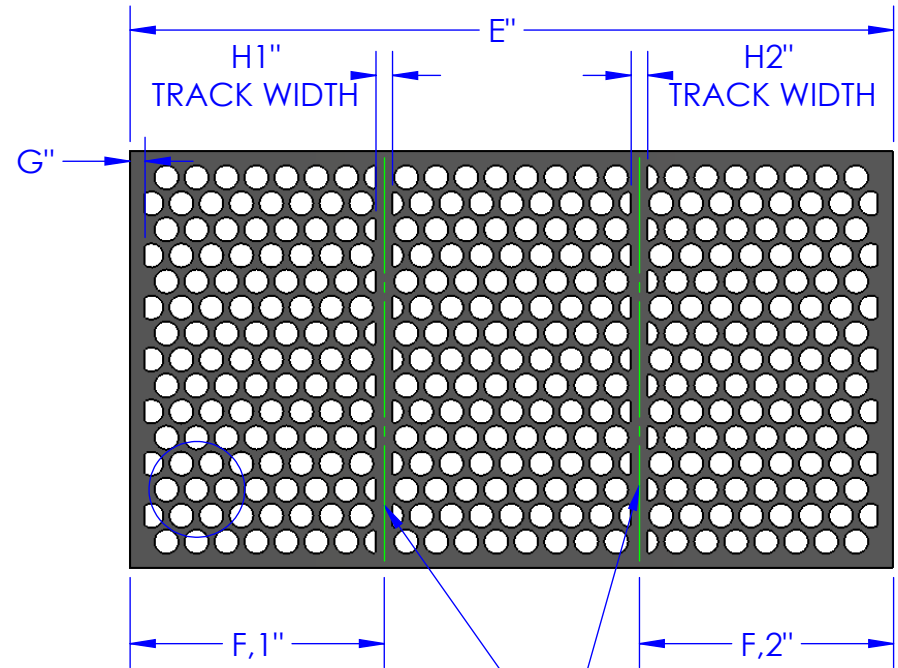
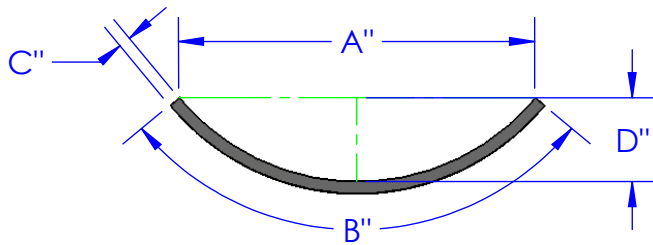


COMPANY	
GRINDER MAKE	
MODEL #	
QTY.	



CW Mill Equipment Co., Inc.
 14 Commerce Drive, Sabetha, KS 66534
 Phone: 785-284-3454
 Fax: 785-284-2010
 Email: sales@dynahog.com
 Website: www.dynahog.com



MEASURE TO CENTER LINE OF
 SCREEN TRACKS OR IF NOT NEEDED
 CHECK THIS BOX

SCREEN WORKSHEET									
A	B	C	D	E	F,1	F,2	G	H1	H2

